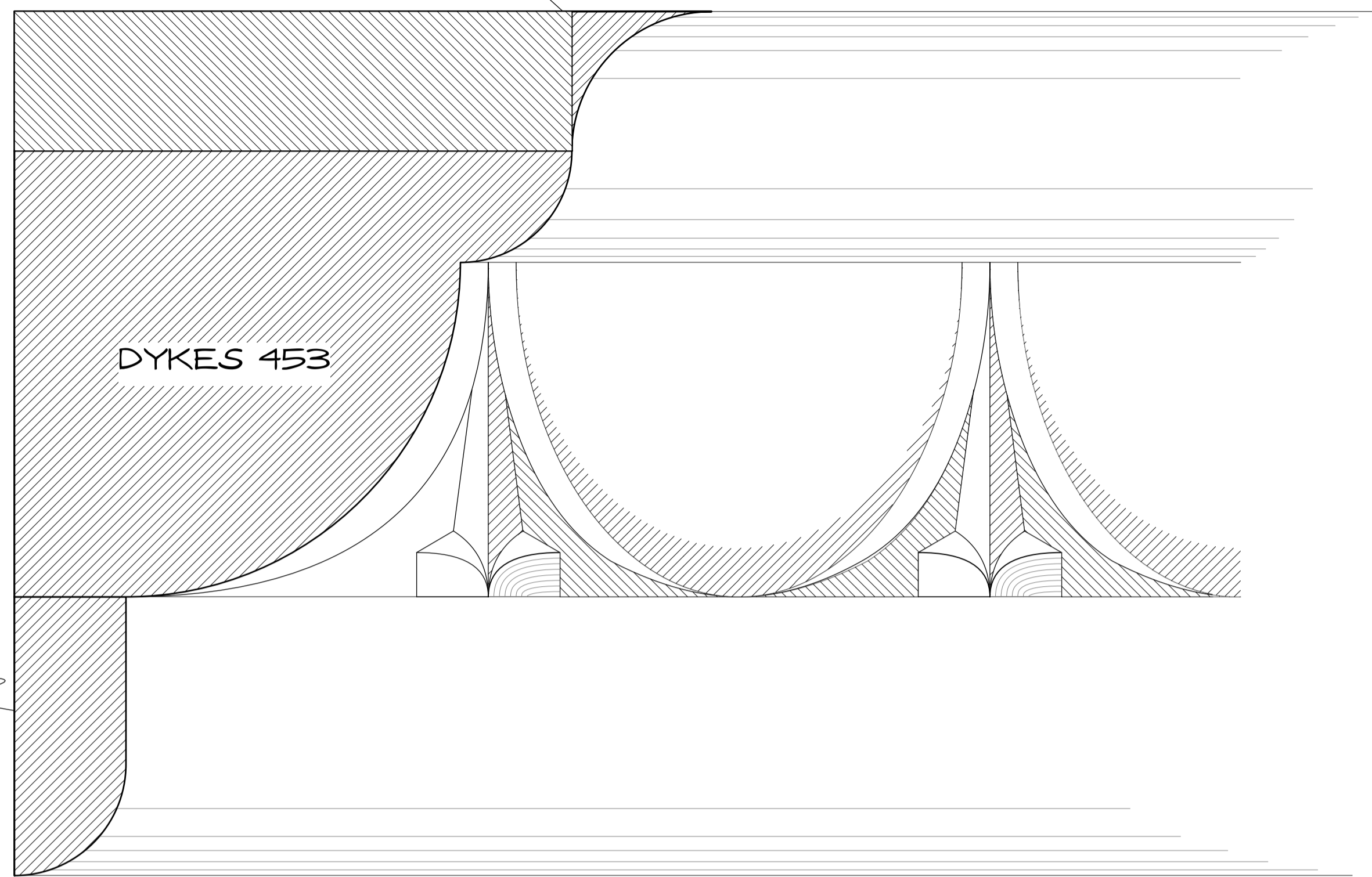


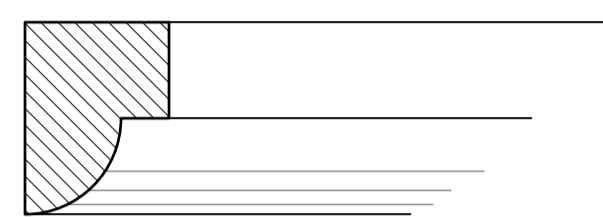
DYKES 192



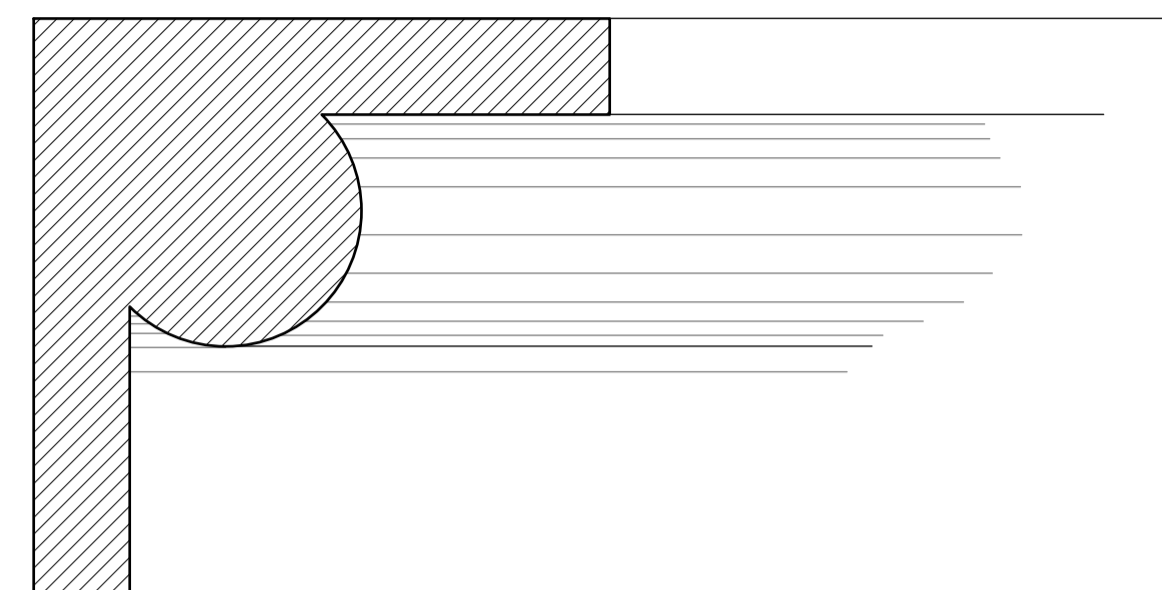
DYKES 453

DYKES 192

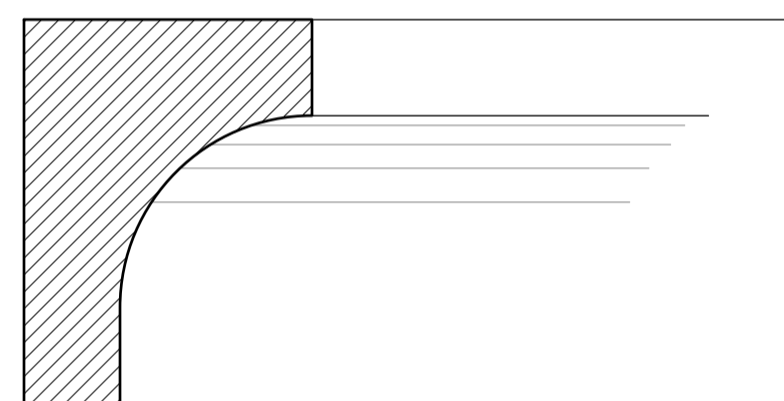
CROWN MOULDING



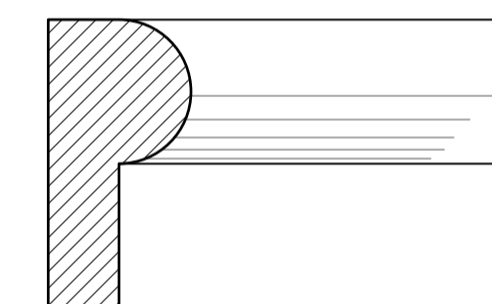
WALL APPLIQUE



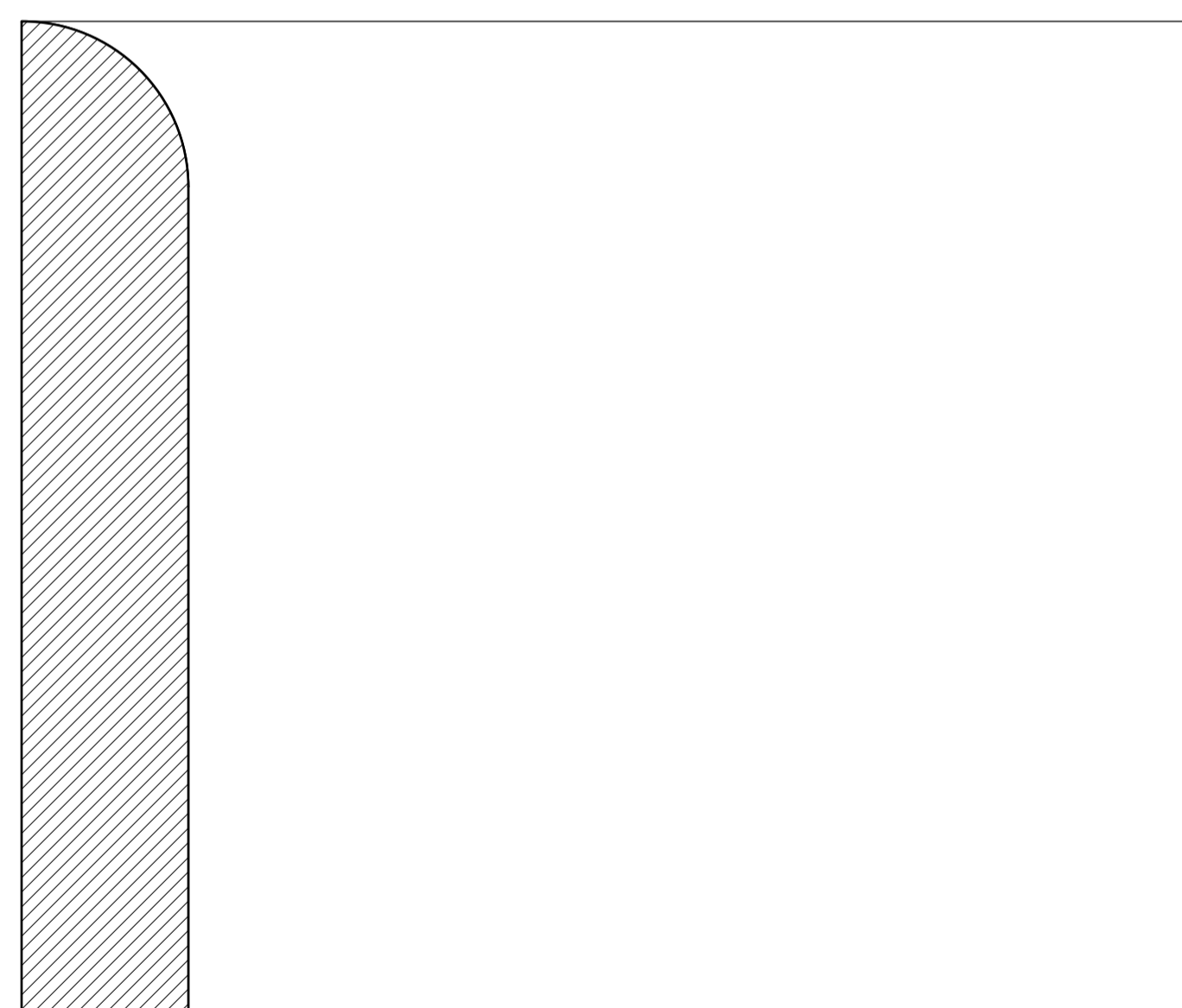
INTERIOR WALL TRIM



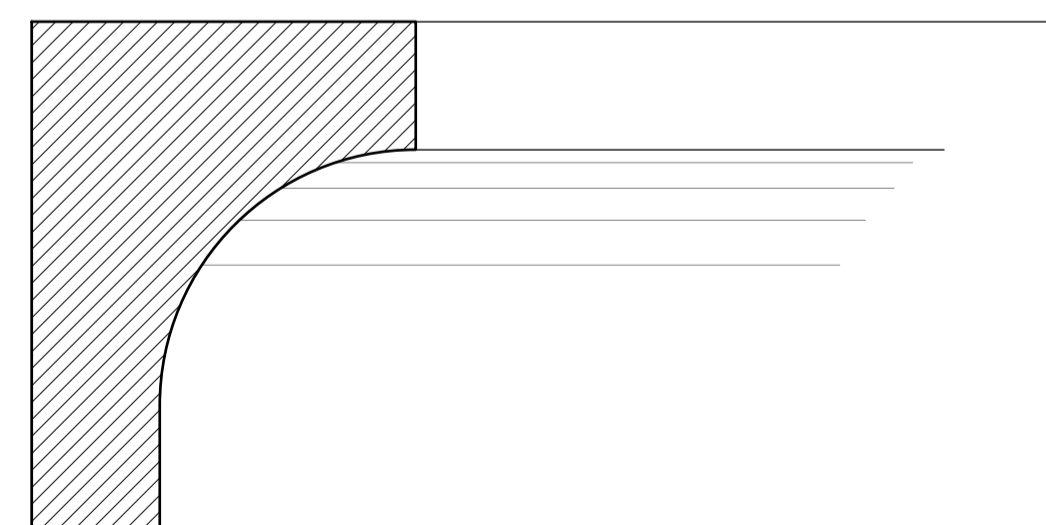
INSET TRIM



ARCH TRIM



BASEBOARD



UPPER RAIL

UNIVERSITY OF GEORGIA - DEPT OF THEATRE		
MOULDING & TRIM		
THORNE ROOM		PLATE:
DESIGNER: CELL: 706-248-6522 MATT "GEORGE" GEORGESON		4
DIRECTOR: MICHAEL O'CONNELL		
CAD CLASS	DWG: MTG	OF 5
SCALE: TRUE	DATE: 3/2/10	REVISION: 1